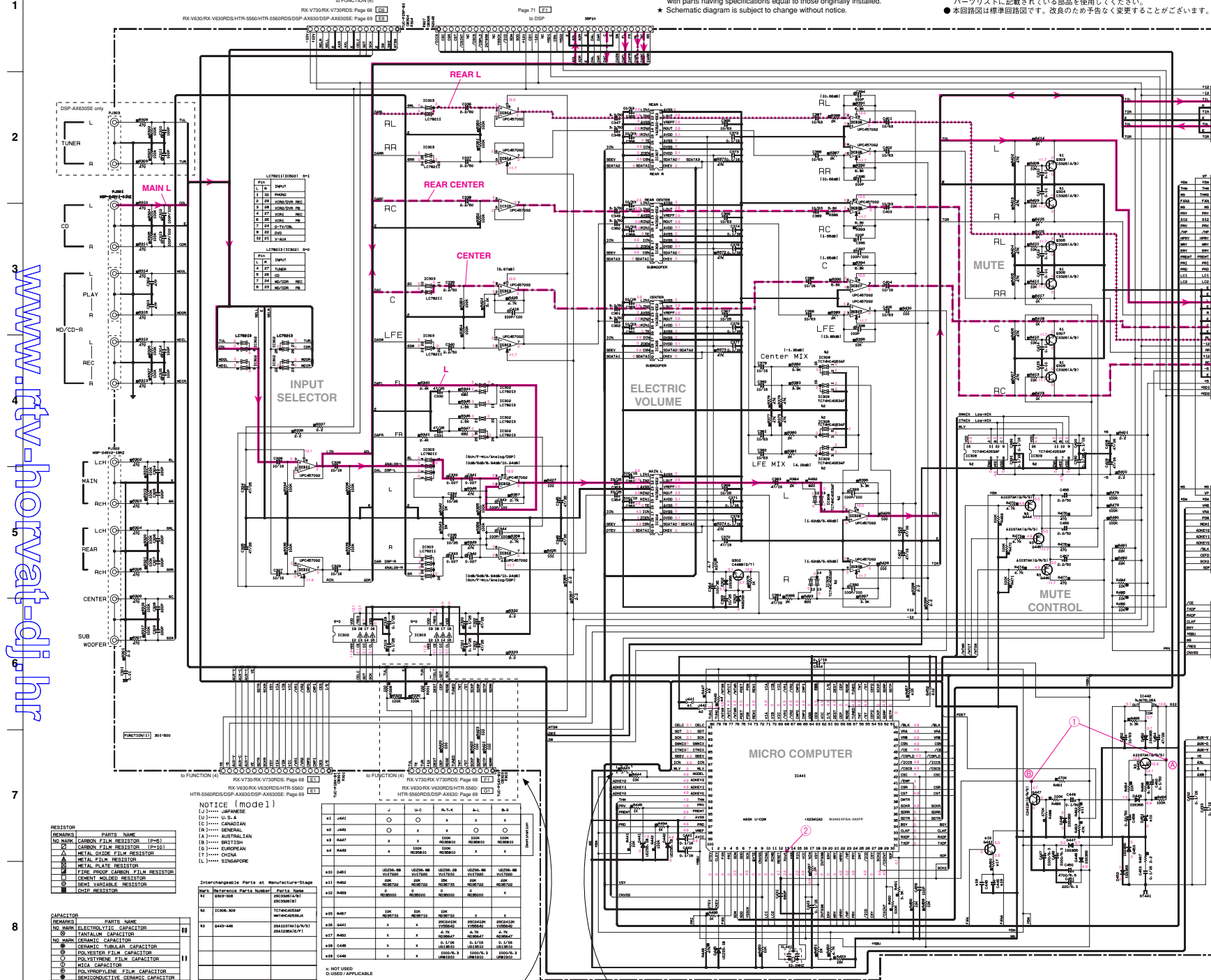


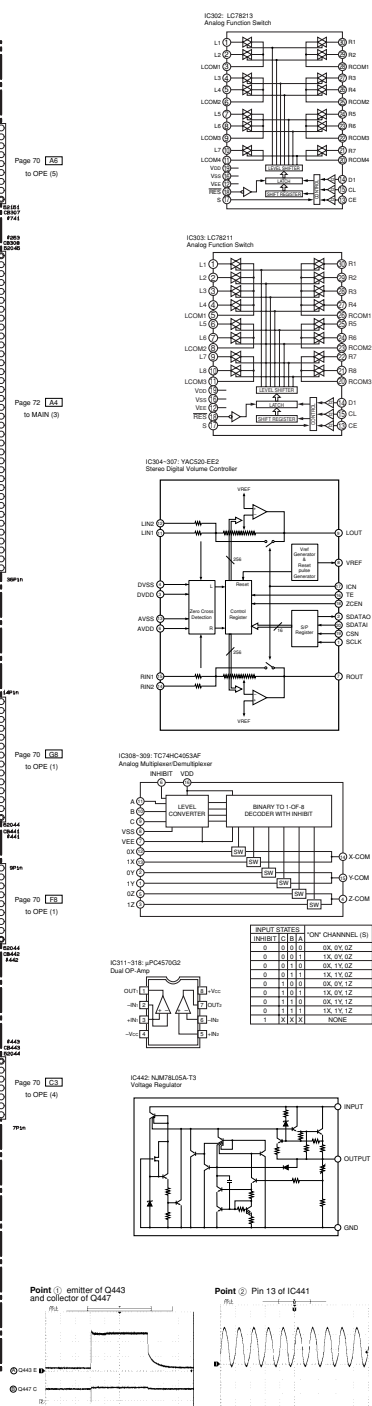
■ SCHEMATIC DIAGRAM (FUNCTION 1/2)

- ★ All voltages are measured with a 10M Ω DC electric volt meter.
- ★ Components having special characteristics are marked ! and must be replaced with parts having specifications equal to those originally installed.
- ★ Schematic diagram is subject to change without notice.
- 電圧は、内部抵抗10M Ω の電圧計で測定したものです。
- !印のある部品は、安全性確保部品を示しています。部品の交換が必要なる場合、パーツリストに記載されている部品を使用してください。
- 本回路図は標準回路図です。改良のため予告なく変更することがあります。

RX-V730/RX-V730RDS/RX-V630/RX-V630RDS
HTR-5560/HTR-5560RDS/DSP-AX630/DSP-AX630SE



www.rtv-horvat-dj.hr



RESISTOR

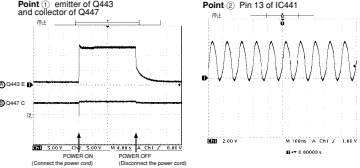
REMARKS	PARTS NAME
NO MARK CARBON FILM RESISTOR (P=0)	
DI CARBON FILM RESISTOR (P=10)	
DI METAL OXIDE FILM RESISTOR	
DI METAL FILM RESISTOR	
DI METAL GLAZE RESISTOR	
DI FINE WOUND CARBON FILM RESISTOR	
DI POINT WOUND RESISTOR	
DI SEMI VARIABLE RESISTOR	
DI OHM RESISTOR	

NOTICE (model)

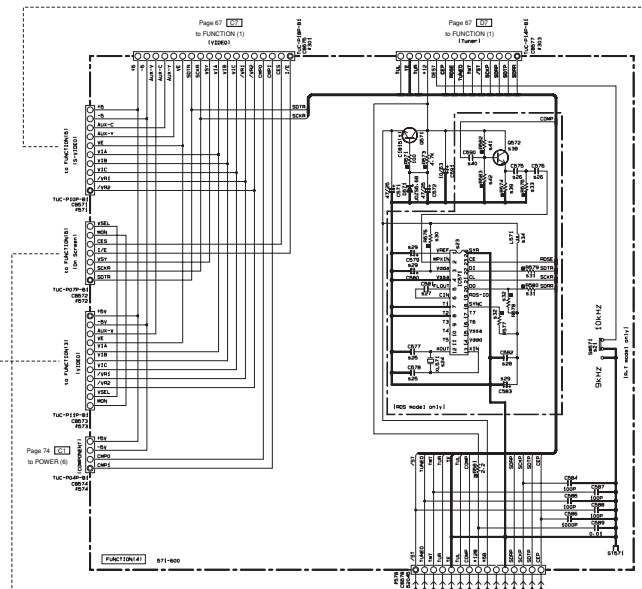
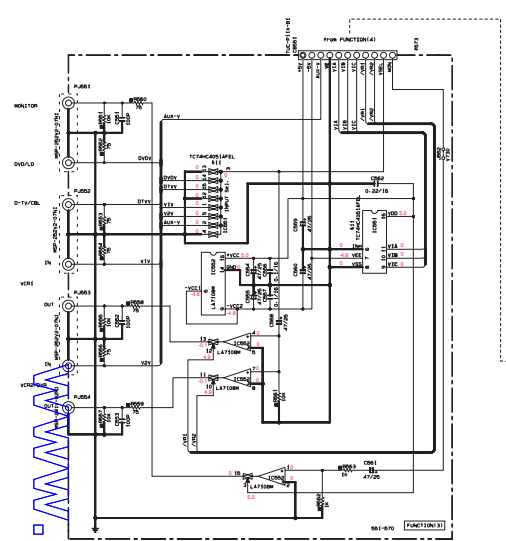
RES.	REMARKS	U.S.A	JAPAN	EUROPE	OTHER
#1 6441		○	○	○	○
#2 6442		○	○	○	○
#3 6443		○	○	○	○
#4 6444		○	○	○	○
#5 6445		○	○	○	○
#6 6446		○	○	○	○
#7 6447		○	○	○	○
#8 6448		○	○	○	○
#9 6449		○	○	○	○
#10 6450		○	○	○	○
#11 6451		○	○	○	○
#12 6452		○	○	○	○
#13 6453		○	○	○	○
#14 6454		○	○	○	○
#15 6455		○	○	○	○
#16 6456		○	○	○	○
#17 6457		○	○	○	○
#18 6458		○	○	○	○
#19 6459		○	○	○	○
#20 6460		○	○	○	○

Interchangeable Parts at Manufacture Stage

RES.	REMARKS	U.S.A	JAPAN	EUROPE	OTHER
#1 6461		○	○	○	○
#2 6462		○	○	○	○
#3 6463		○	○	○	○
#4 6464		○	○	○	○
#5 6465		○	○	○	○
#6 6466		○	○	○	○
#7 6467		○	○	○	○
#8 6468		○	○	○	○
#9 6469		○	○	○	○
#10 6470		○	○	○	○
#11 6471		○	○	○	○
#12 6472		○	○	○	○
#13 6473		○	○	○	○
#14 6474		○	○	○	○
#15 6475		○	○	○	○
#16 6476		○	○	○	○
#17 6477		○	○	○	○
#18 6478		○	○	○	○
#19 6479		○	○	○	○
#20 6480		○	○	○	○



SCHEMATIC DIAGRAM (FUNCTION 2/2) RX-V730/RX-V730RDS



NOTICE (MODEL)

- (J) JAPAN
- (U) U.S.A.
- (C) CANADA
- (R) GENERAL
- (A) AUSTRALIAN
- (B) BRITISH
- (G) EUROPEAN
- (T) CHINA
- (L) SINGAPORE

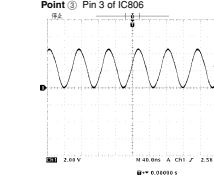
RESISTOR

RESISTOR	PARTS NAME
NO MARK	CARBON FILM RESISTOR (±5%)
⊙	CARBON FILM RESISTOR (±10%)
△	METAL OXIDE FILM RESISTOR
□	METAL FILM RESISTOR
◇	THICK FILM CARBON FILM RESISTOR
○	GENERAL PURPOSE RESISTOR
○	SEMI VARIABLE RESISTOR
○	CHIP RESISTOR

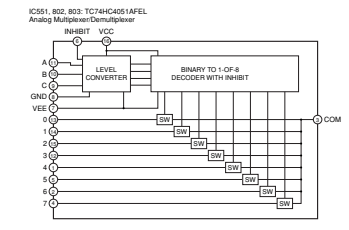
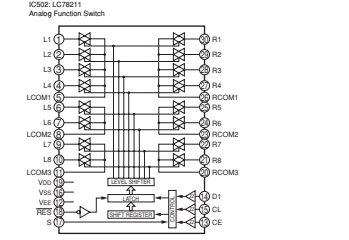
CAPACITOR

CAPACITOR	PARTS NAME
NO MARK	ELECTROLYTIC CAPACITOR
⊖	TANTALUM CAPACITOR
⊕	CERAMIC TUBULAR CAPACITOR
⊖	POLYESTER FILM CAPACITOR
⊕	POLYSTYRENE FILM CAPACITOR
⊖	MICA CAPACITOR
⊕	POLYPROPYLENE FILM CAPACITOR
⊖	SEMICONDUCTIVE CERAMIC CAPACITOR

Point ③ Pin 3 of IC806

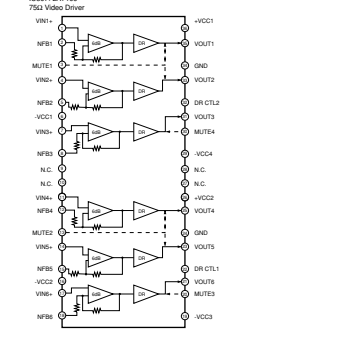
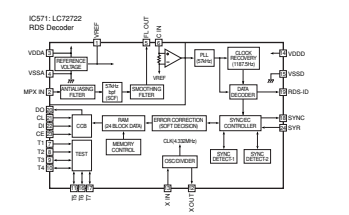
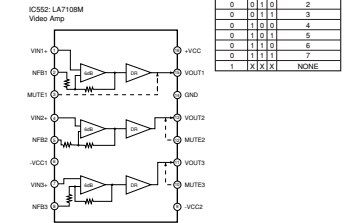
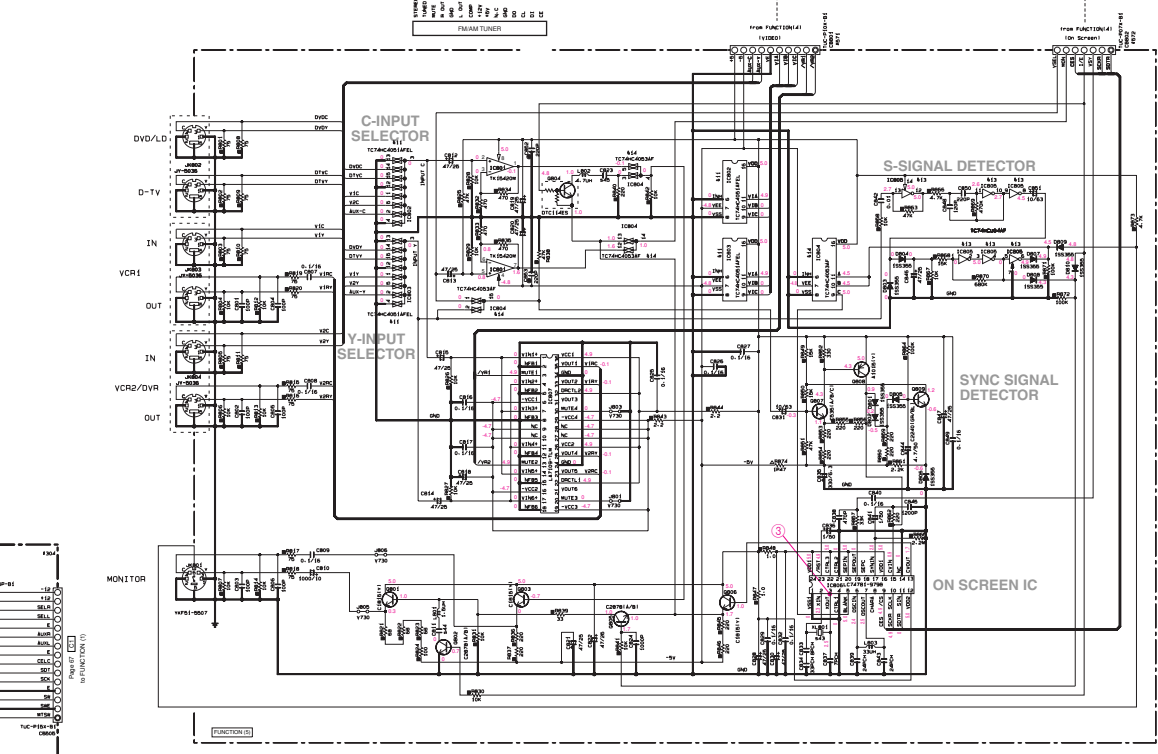
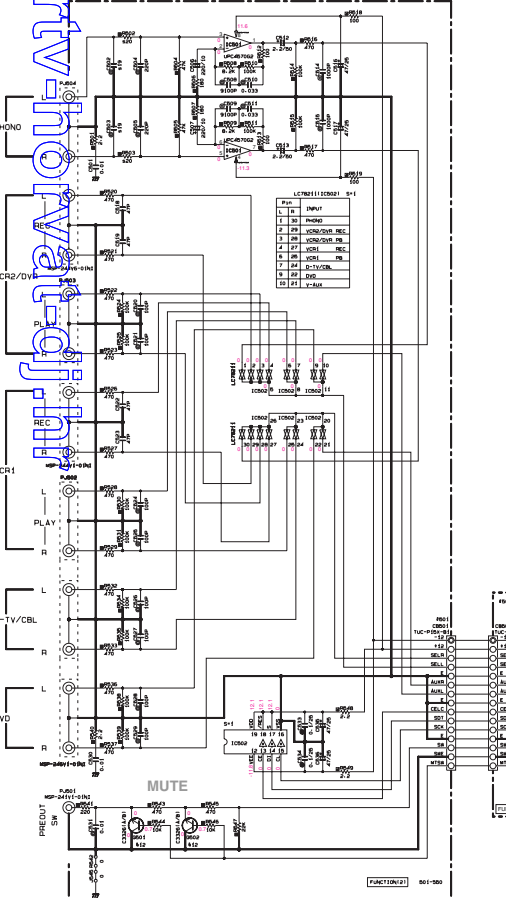


Q	MARK	Q1	Q2	Q3	Q4
116	CR00-503	x	x	100P	100P
140	CR00-503	47	47	50P	50P
141	90471	x	90471	100K	100K
142	10071	x	x	100K	100K
144	10071	x	x	100K	100K
145	10071	x	x	100K	100K
146	10071	x	x	100K	100K
147	10071	x	x	100K	100K
148	10071	x	x	100K	100K
149	10071	x	x	100K	100K
150	10071	x	x	100K	100K
151	10071	x	x	100K	100K
152	10071	x	x	100K	100K
153	10071	x	x	100K	100K
154	10071	x	x	100K	100K
155	10071	x	x	100K	100K
156	10071	x	x	100K	100K
157	10071	x	x	100K	100K
158	10071	x	x	100K	100K
159	10071	x	x	100K	100K
160	10071	x	x	100K	100K
161	10071	x	x	100K	100K
162	10071	x	x	100K	100K
163	10071	x	x	100K	100K
164	10071	x	x	100K	100K
165	10071	x	x	100K	100K
166	10071	x	x	100K	100K
167	10071	x	x	100K	100K
168	10071	x	x	100K	100K
169	10071	x	x	100K	100K
170	10071	x	x	100K	100K
171	10071	x	x	100K	100K
172	10071	x	x	100K	100K
173	10071	x	x	100K	100K
174	10071	x	x	100K	100K
175	10071	x	x	100K	100K
176	10071	x	x	100K	100K
177	10071	x	x	100K	100K
178	10071	x	x	100K	100K
179	10071	x	x	100K	100K
180	10071	x	x	100K	100K
181	10071	x	x	100K	100K
182	10071	x	x	100K	100K
183	10071	x	x	100K	100K
184	10071	x	x	100K	100K
185	10071	x	x	100K	100K
186	10071	x	x	100K	100K
187	10071	x	x	100K	100K
188	10071	x	x	100K	100K
189	10071	x	x	100K	100K
190	10071	x	x	100K	100K
191	10071	x	x	100K	100K
192	10071	x	x	100K	100K
193	10071	x	x	100K	100K
194	10071	x	x	100K	100K
195	10071	x	x	100K	100K
196	10071	x	x	100K	100K
197	10071	x	x	100K	100K
198	10071	x	x	100K	100K
199	10071	x	x	100K	100K
200	10071	x	x	100K	100K



INPUT STATES

INHIBIT	0	1	ON CHANNEL
0	0	0	0
0	0	1	1
0	1	0	2
0	1	1	3
1	0	0	4
1	0	1	5
1	1	0	6
1	1	1	7
1	X	X	NONE



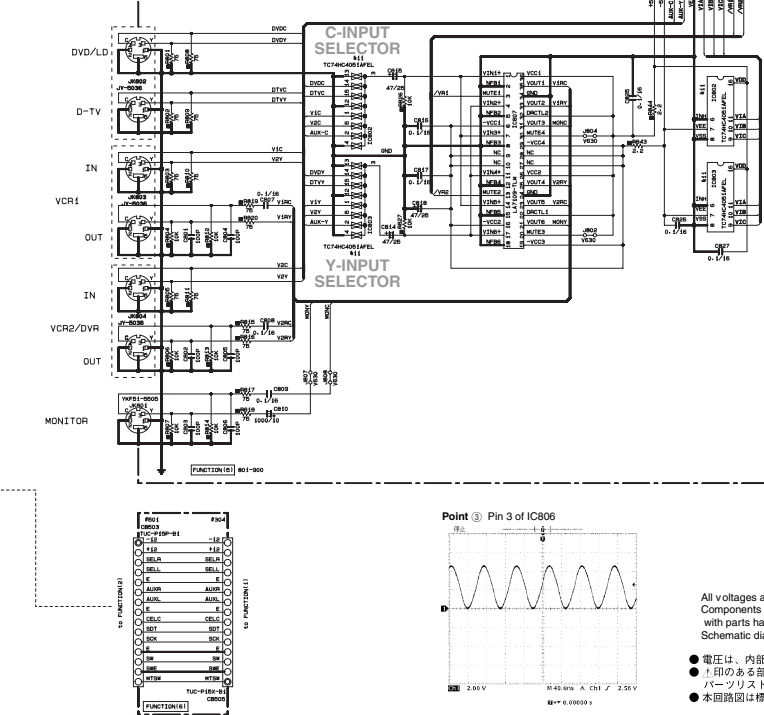
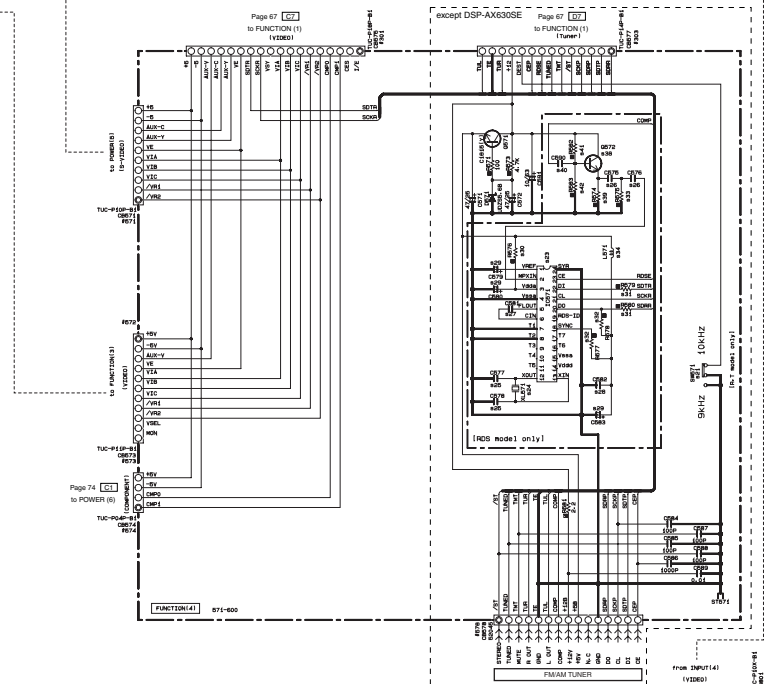
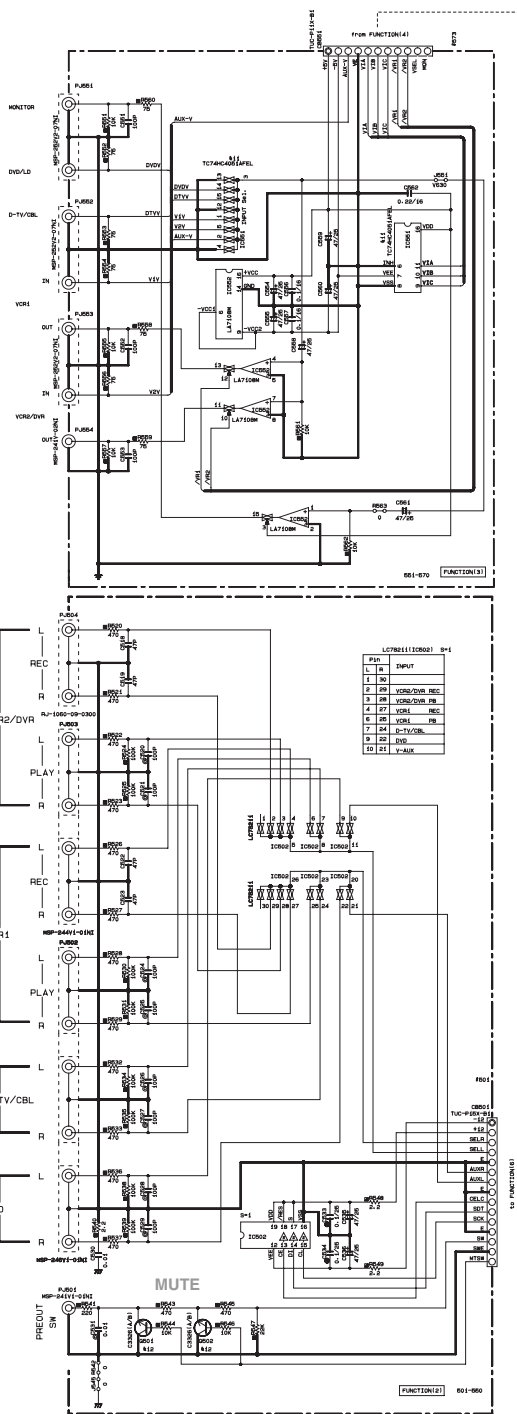
* All voltages are measured with a 10MΩ/V DC electric volt meter.
* Components having special characteristics are marked 1, and must be replaced with parts having specifications equal to those originally installed.
* Schematic diagram is subject to change without notice.

● 電圧は、内部抵抗10MΩの電圧計で測定したものです。
● 1印のある部品は、安全確保部品を示しています。部品の交換が必要な場合、パーツリストに記載されている部品を使用してください。
● 本回路図は標準回路図です。改良のため予告なく変更することがございます。

■ SCHEMATIC DIAGRAM (FUNCTION 2/2) RX-V630/RX-V630RDS/HTR-5560/HTR-5560RDS/DSP-AX630/DSP-AX630SE

RX-V730/RX-V730RDS/RX-V630/RX-V630RDS
HTR-5560/HTR-5560RDS/DSP-AX630/DSP-AX630SE

www.itv-horvat-dj.hr



NOTICE (model)
(J)..... JAPANESE
(U)..... U.S.A.
(C)..... CANADIAN
(R)..... GENERAL
(A)..... AUSTRALIAN
(B)..... BRITISH
(G)..... EUROPEAN
(F)..... CHINA
(L)..... SINGAPORE

RESISTOR

REMARKS	PARTS NAME
NO. MARK	CARBON FILM RESISTOR (P=1)
△	CARBON FILM RESISTOR (P=10)
▲	METAL OXIDE FILM RESISTOR
□	METAL FILM RESISTOR
■	METAL PLATE RESISTOR
⊖	FIRE PROOF CARBON FILM RESISTOR
⊕	CEMENT HOLED RESISTOR
⊗	SEMI VARIABLE RESISTOR
■	CHIP RESISTOR

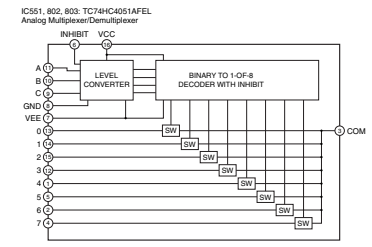
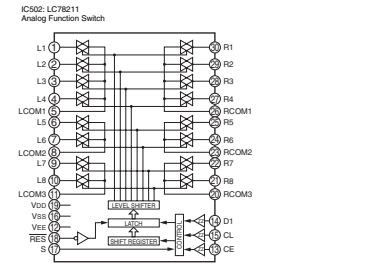
CAPACITOR

REMARKS	PARTS NAME
NO. MARK	ELECTROLYTIC CAPACITOR
⊖	TANTALUM CAPACITOR
□	CERAMIC CAPACITOR
○	CERAMIC TUBULAR CAPACITOR
⊖	POLYESTER FILM CAPACITOR
⊕	POLYETHYLENE FILM CAPACITOR
⊖	MICA CAPACITOR
⊖	POLYPROPYLENE FILM CAPACITOR
⊖	SEMICONDUCTIVE CERAMIC CAPACITOR

Interchangeable Parts at Manufacture Stage

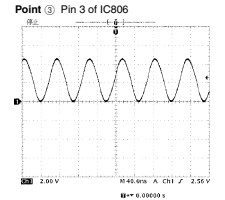
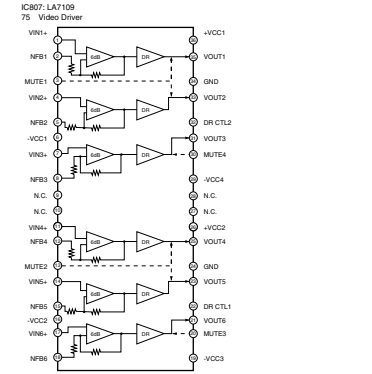
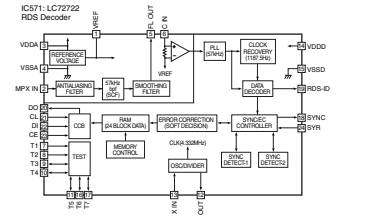
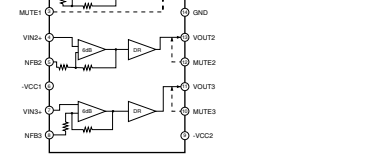
Part No.	Reference Part No.	Part Name
411	IC551.802.803	TC74HC4051AFEL
412	SR01.902	SR03301A/R1
		SR03301A/R1

Part No.	QTY	U-D-E-K	B-T	B-G	A-L
401	89671	X		RO22W-B	X
403	13071	X	X	LC72722	X
404	14571	X	X	4.300MHz	X
405	0377.078	X	X	FR04	X
406	0378.076	X	X	330P	X
407	0361	X	X	300P	X
408	0356	X	X	0.1/16	X
409	0378.086-083	X	X	4770	X
410	1076	X	X	100	X
411	1078.080	X	X	470	X
412	1077.078	X	X	10K	X
413	1070	X	X	20K	X
414	1071	X	X	200uF	X
416	0672	X	X	1C17402	X
419	1074	X	X	3.3K	X
440	0350	X	X	100P	X
441	1086	X	X	500K	X
442	1083	X	X	RO30710	X



INPUT STATES

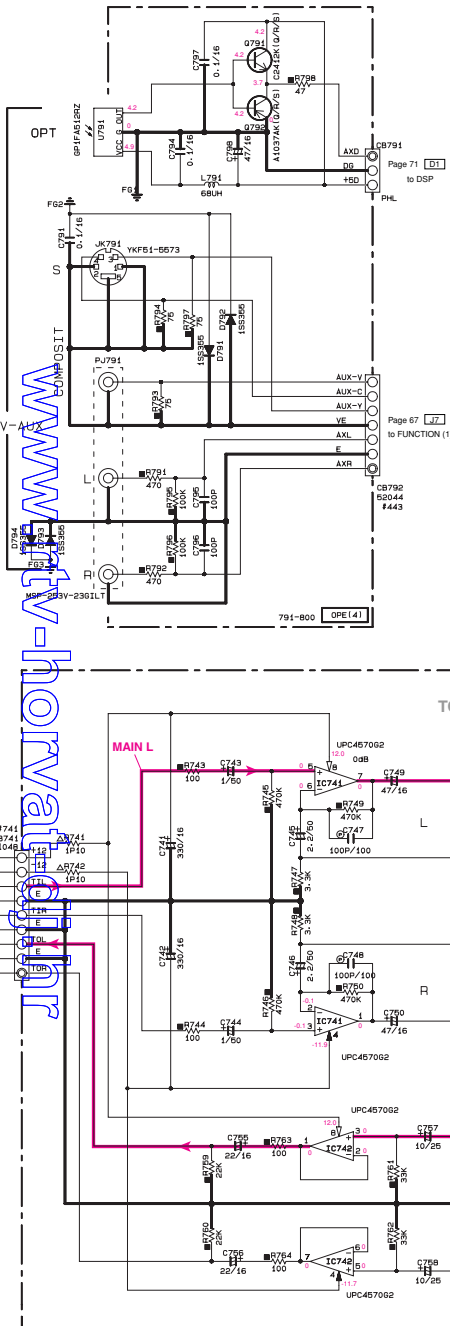
INHIBIT	C	B	A	'ON' CHANNEL
0	0	0	0	0
0	0	0	1	1
0	0	1	0	2
0	0	1	1	3
0	1	0	0	4
0	1	0	1	5
0	1	1	0	6
0	1	1	1	7
1	X	X	X	NONE



All voltages are measured with a 10M Ω V dc electric volt meter. Components having special characteristics are marked * and must be replaced with parts having specifications equal to those originally installed. Schematic diagram is subject to change without notice.

- 電圧は、内部抵抗10M Ω の電圧計で測定したものです。
- *印のある部品は、安全性確保部品を示しています。部品の交換が必要な場合、パーツリストに記載されている部品を使用してください。
- 本回路図は標準回路図です。改良のため予告なく変更することがございます。

SCHEMATIC DIAGRAM (OPERATION)



RESISTOR

REMARKS	PARTS NAME
NO MARK	CARBON FILM RESISTOR (P=5)
□	CARBON FILM RESISTOR (P=10)
△	METAL OXIDE FILM RESISTOR
○	METAL FILM RESISTOR
▮	METAL PLATE RESISTOR
▭	FIRE PROOF CARBON FILM RESISTOR
■	CEMENT MOLDED RESISTOR
◇	SEMI VARIABLE RESISTOR
⊞	CHIP RESISTOR

CAPACITOR

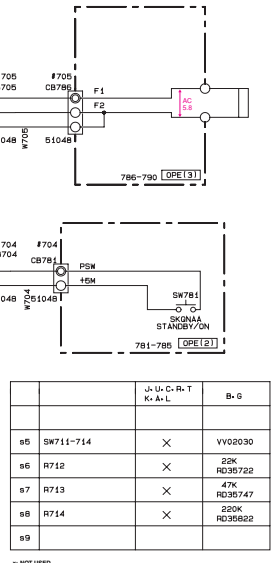
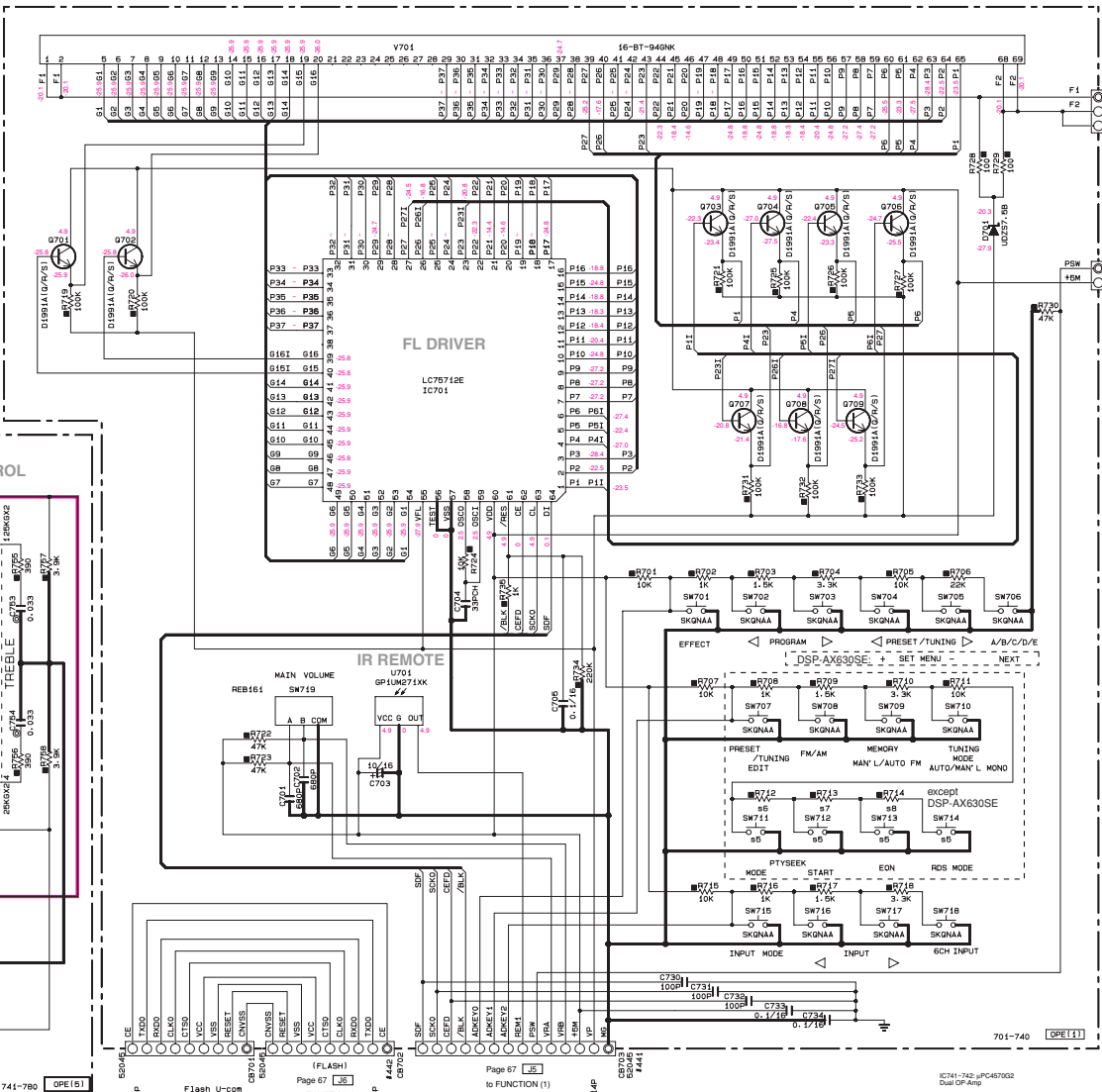
REMARKS	PARTS NAME
NO MARK	ELECTROLYTIC CAPACITOR
⊗	TANTALUM CAPACITOR
NO MARK	CERAMIC CAPACITOR
①	CERAMIC TUBULAR CAPACITOR
②	POLYESTER FILM CAPACITOR
③	POLYSTYRENE FILM CAPACITOR
④	MICA CAPACITOR
⑤	POLYPROPYLENE FILM CAPACITOR
⑥	SEMICONDUCTIVE CERAMIC CAPACITOR
⑦	POLYPHENYLENE SULFIDE FILM CAPACITOR

NOTICE (model)

()..... JAPANESE
(U)..... U.S.A
(C)..... CANADIAN
(A)..... GENERAL
(R)..... AUSTRALIAN
(B)..... BRITISH
(E)..... EUROPEAN
(T)..... CHINA
(L)..... SINGAPORE

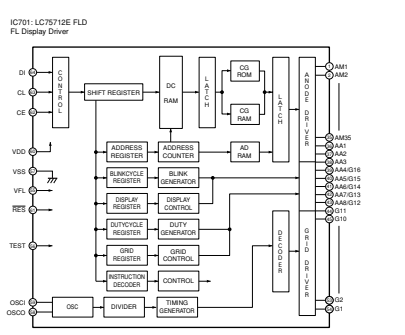
- ★ All voltages are measured with a 10M Ω /V DC electric volt meter.
- ★ Components having special characteristics are marked ∇ , and must be replaced with parts having specifications equal to those originally installed.
- ★ Schematic diagram is subject to change without notice.

- 電圧は、内部抵抗10M Ω の電圧計で測定したものです。
- ∇ 印のある部品は、安全性確保部品を示しています。部品の交換が必要な場合、パーツリストに記載されている部品を使用してください。
- 実回路図は標準実回路図です。改良のため予告なく変更することがございます。



Interchangeable Parts at Manufacture-Stage

Mark	Reference Parts Number	Parts Name
k1		
k2		
k3		
k4		



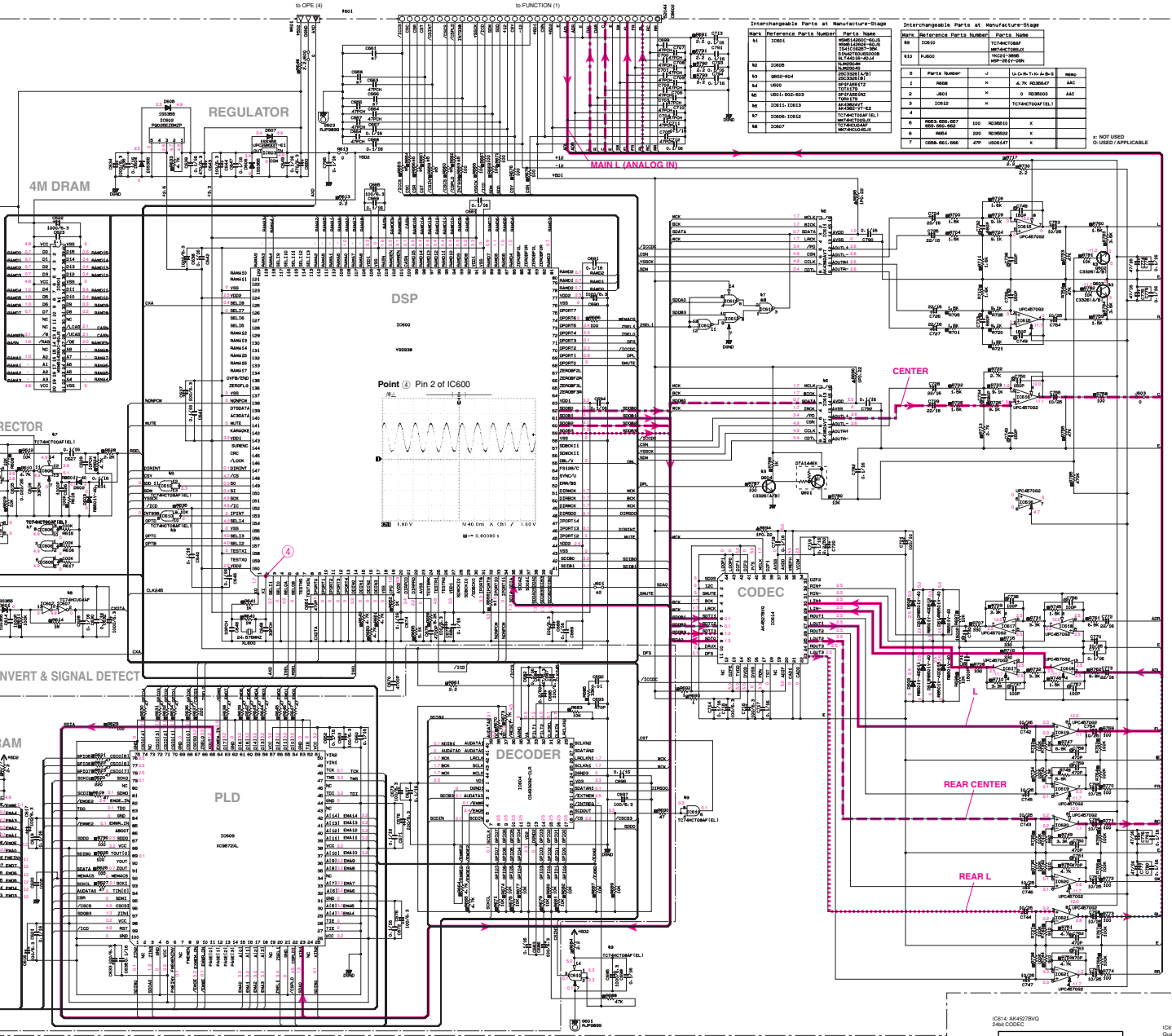
1
2
3
4
5
6
7
8
9

www.tv-horvat.com

■ SCHEMATIC DIAGRAM (DSP)

REMARKS	PARTS NAME
NO MARK	CARBON FILM RESISTOR (P=5)
△	CARBON FILM RESISTOR (P=10)
□	METAL OXIDE FILM RESISTOR
◇	METAL FILM RESISTOR
○	METAL PLATE RESISTOR
◇	FILM PROOF CARBON FILM RESISTOR
◇	CEMENT HOLED RESISTOR
◇	TRIM VARIABLE RESISTOR
◇	CHIP RESISTOR

REMARKS	PARTS NAME
NO MARK	ELECTROLYTIC CAPACITOR
□	TANTALUM CAPACITOR
◇	CERAMIC TUBULAR CAPACITOR
◇	POLYESTER FILM CAPACITOR
◇	POLYSTYRENE FILM CAPACITOR
◇	MICA CAPACITOR
◇	POLYPROPYLENE FILM CAPACITOR
◇	SEMICONDUCTING CERAMIC CAPACITOR
◇	POLYPHENYLENE SULFIDE FILM CAPACITOR

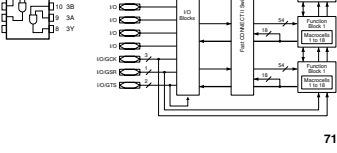
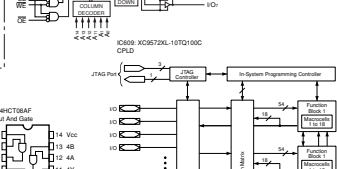
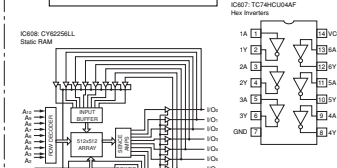
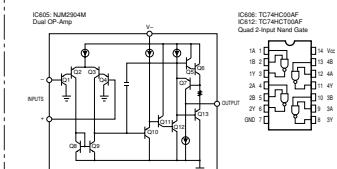
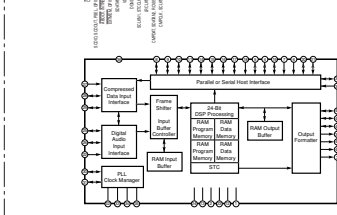
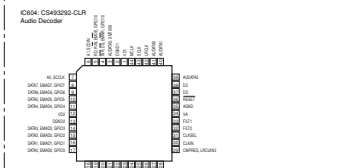
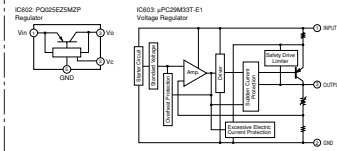
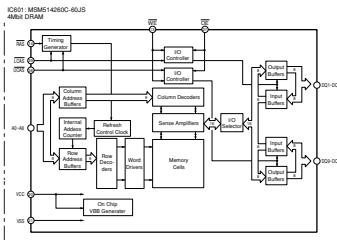


Interchangeable Parts at Manufacture Stage

Part No.	Reference Parts Number	Parts Name
N1	10061	RESISTOR
N2	10062	RESISTOR
N3	10063	RESISTOR
N4	10064	RESISTOR
N5	10065	RESISTOR
N6	10066	RESISTOR
N7	10067	RESISTOR
N8	10068	RESISTOR
N9	10069	RESISTOR
N10	10070	RESISTOR

Part No.	Reference Parts Number	Parts Name
1	10071	RESISTOR
2	10072	RESISTOR
3	10073	RESISTOR
4	10074	RESISTOR
5	10075	RESISTOR
6	10076	RESISTOR
7	10077	RESISTOR

RX-V730/RX-V730RDS/RX-V630/RX-V630RDS
 HTR-5560/HTR-5560RDS/DSP-AX630/DSP-AX630SE

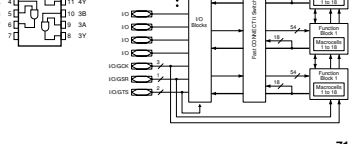
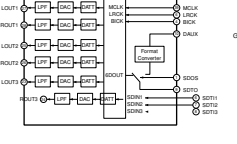
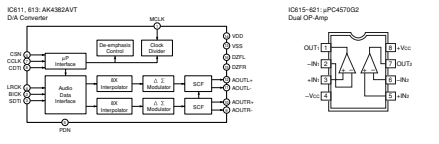


www.rtv-horvat-dj.hr

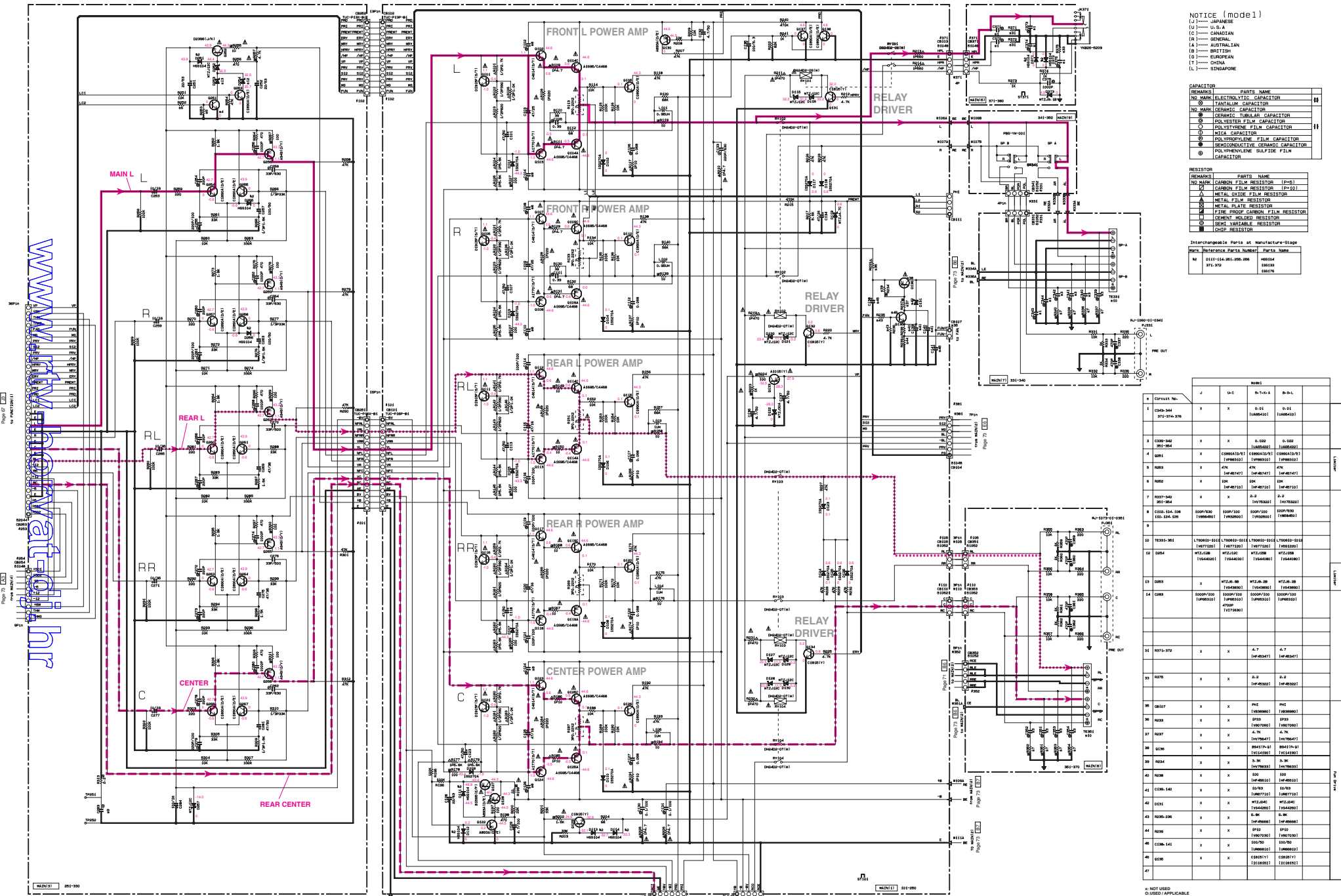
NOTICE (model)
 (J) JAPAN
 (U) U.S.A.
 (C) CANADIAN
 (R) GENERAL
 (A) AUSTRALIAN
 (B) BRITISH
 (E) EUROPEAN
 (T) CHINA
 (L) SINGAPORE

* All voltages are measured with a 10MΩ/V DC electric volt meter.
 * Components having special characteristics are marked † and must be replaced with parts having specifications equal to those originally installed.
 * Schematic diagram is subject to change without notice.

● 電圧は、内部抵抗10MΩの電圧計で測定したものです。
 ● †印のある部品は、安全性確保部品を示しています。部品の交換が必要な場合、パーツリストに記載されている部品を使用してください。
 ● 本回路図は標準回路図です。改良のため予告なく変更することがございます。



■ SCHEMATIC DIAGRAM (MAIN 1/2)



NOTICE (model)
 (J)..... JAPANESE
 (U)..... U.S.A.
 (A)..... AUSTRALIAN
 (C)..... CANADIAN
 (E)..... GENERAL
 (M)..... MEXICAN
 (B)..... BRITISH
 (G)..... GERMAN
 (T)..... CHINA
 (L)..... SINGAPORE

REMARKS	PARTS NAME
NO MARK	ELECTRIC CAPACITOR
◎	TANTALUM CAPACITOR
NO MARK	CERAMIC CAPACITOR
◎	CERAMIC TUBULAR CAPACITOR
◎	NON-VOLATILE FILM CAPACITOR
◎	POLYESTER FILM CAPACITOR
◎	POLYPROPYLENE FILM CAPACITOR
◎	SEMICONDUCTIVE CERAMIC CAPACITOR
◎	POLYBENZENE SULFONE FILM CAPACITOR

REMARKS	PARTS NAME
NO MARK	CARBON FILM RESISTOR (DIN)
◎	CARBON FILM RESISTOR (EIA)
△	METAL FILM RESISTOR
◎	METAL PLATE RESISTOR
◎	FILM PROOF CARBON FILM RESISTOR
◎	CEMENT MOUNTED RESISTOR
◎	HEAT VARIABLE RESISTOR
■	CHIP RESISTOR

Interchangeable Parts at Manufacture-Stage
 Part Reference Part Number Part Name

NO	D111-154-001-000-000	RES604
	975-000	RES608
		RES678

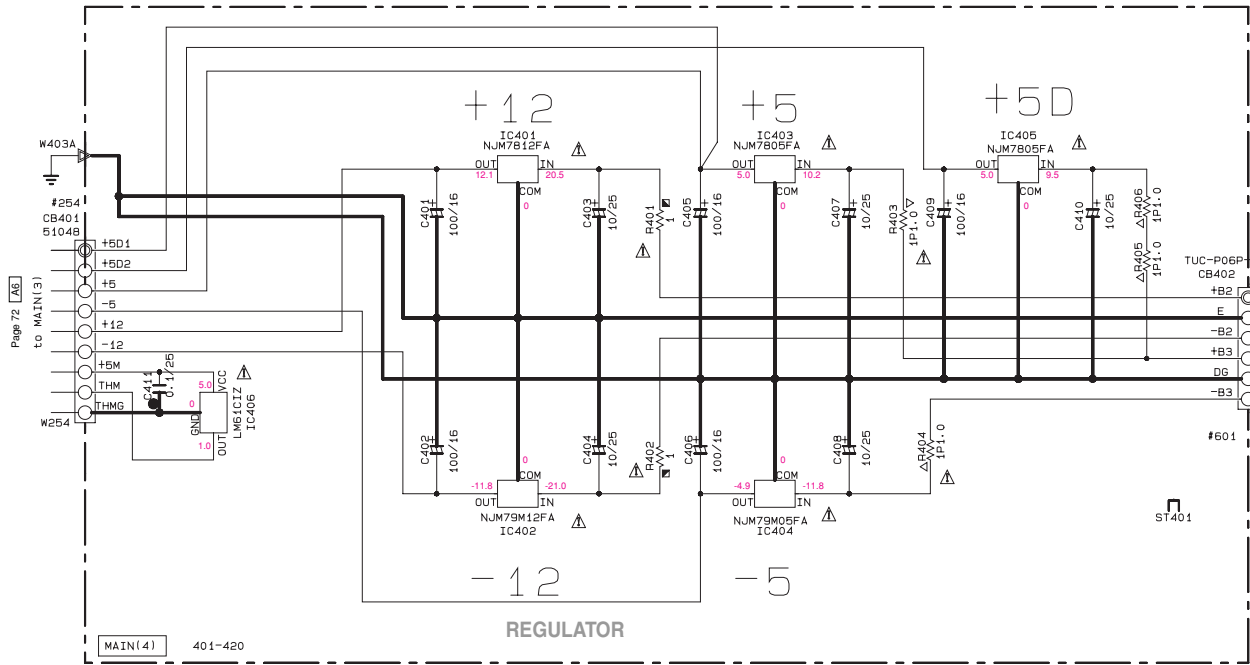
#	CHASSIS No.	J	U-C	NO	RES	RES
1	C500-344 371-374-376	X	X	0.01	TUM8401	TUM8401
2	C500-340 361-364	X	X	0.000	0.000	
3	Q001	X	X	1000000000	1000000000	1000000000
4	R003	X	47K	47K	47K	47K
5	R003	X	47K	47K	47K	47K
6	R003	X	10K	10K	10K	10K
7	R003-001 301-004	X	X	10K	10K	10K
8	C100-104-100 100-104-100	X	X	1000P/50V	1000P/50V	1000P/50V
9	T0001-001	X	X	1000000000	1000000000	1000000000
10	S004	X	X	MTJ208	MTJ208	MTJ208
11	S004	X	X	MTJ208	MTJ208	MTJ208
12	S004	X	X	MTJ208	MTJ208	MTJ208
13	C003	X	X	1000P/50V	1000P/50V	1000P/50V
14	C003	X	X	1000P/50V	1000P/50V	1000P/50V
15	R016-370	X	X	4.7	4.7	4.7
16	R016-370	X	X	4.7	4.7	4.7
17	R016-370	X	X	4.7	4.7	4.7
18	R016-370	X	X	4.7	4.7	4.7
19	R016-370	X	X	4.7	4.7	4.7
20	R016-370	X	X	4.7	4.7	4.7
21	R016-370	X	X	4.7	4.7	4.7
22	R016-370	X	X	4.7	4.7	4.7
23	R016-370	X	X	4.7	4.7	4.7
24	R016-370	X	X	4.7	4.7	4.7
25	R016-370	X	X	4.7	4.7	4.7
26	R016-370	X	X	4.7	4.7	4.7
27	R016-370	X	X	4.7	4.7	4.7
28	R016-370	X	X	4.7	4.7	4.7
29	R016-370	X	X	4.7	4.7	4.7
30	R016-370	X	X	4.7	4.7	4.7
31	R016-370	X	X	4.7	4.7	4.7
32	R016-370	X	X	4.7	4.7	4.7
33	R016-370	X	X	4.7	4.7	4.7
34	R016-370	X	X	4.7	4.7	4.7
35	R016-370	X	X	4.7	4.7	4.7
36	R016-370	X	X	4.7	4.7	4.7
37	R016-370	X	X	4.7	4.7	4.7
38	R016-370	X	X	4.7	4.7	4.7
39	R016-370	X	X	4.7	4.7	4.7
40	R016-370	X	X	4.7	4.7	4.7
41	R016-370	X	X	4.7	4.7	4.7
42	R016-370	X	X	4.7	4.7	4.7
43	R016-370	X	X	4.7	4.7	4.7
44	R016-370	X	X	4.7	4.7	4.7
45	R016-370	X	X	4.7	4.7	4.7
46	R016-370	X	X	4.7	4.7	4.7
47	R016-370	X	X	4.7	4.7	4.7

* All voltages are measured with a 10MΩ/V DC electric volt meter.
 * Components having special characteristics are marked ♪ and must be replaced with parts having specifications equal to those originally installed.
 * Schematic diagram is subject to change without notice.

● 電圧は、内部抵抗10MΩの電圧計で測定したものです。
 ● ♪印のある部品は、安全性確保部品を示しています。部品の交換が必要な場合、パーツリストに記載されている部品を使用してください。
 ● 本回路図は標準回路図です。改良のための予告なく変更することがございます。

■ SCHEMATIC DIAGRAM (MAIN 2/2)

RX-V730/RX-V730RDS/RX-V630/RX-V630RDS
HTR-5560/HTR-5560RDS/DSP-AX630/DSP-AX630SE



RESISTOR

REMARKS	PARTS NAME
NO MARK	CARBON FILM RESISTOR (P=5)
□	CARBON FILM RESISTOR (P=10)
△	METAL OXIDE FILM RESISTOR
▲	METAL FILM RESISTOR
⊠	METAL PLATE RESISTOR
▨	FIRE PROOF CARBON FILM RESISTOR
□	CEMENT MOLDED RESISTOR
⊕	SEMI VARIABLE RESISTOR
■	CHIP RESISTOR

CAPACITOR

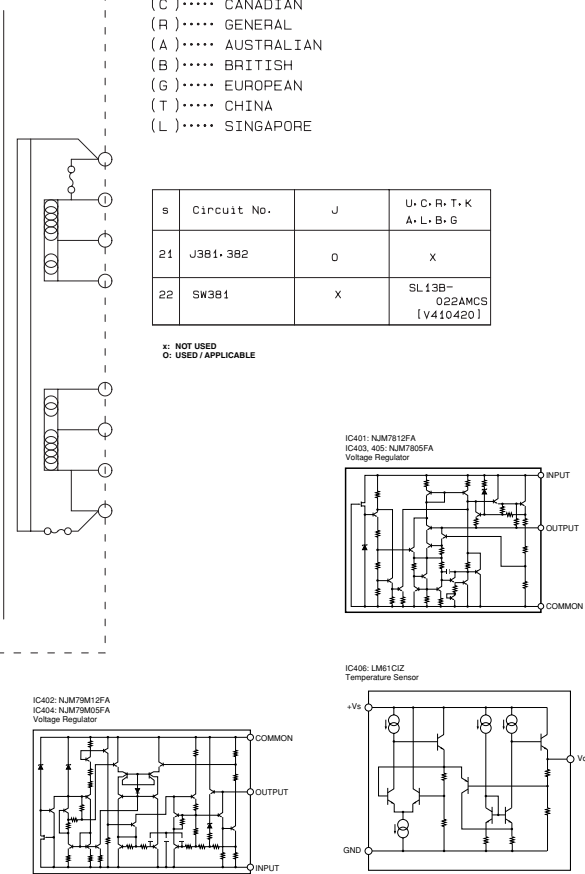
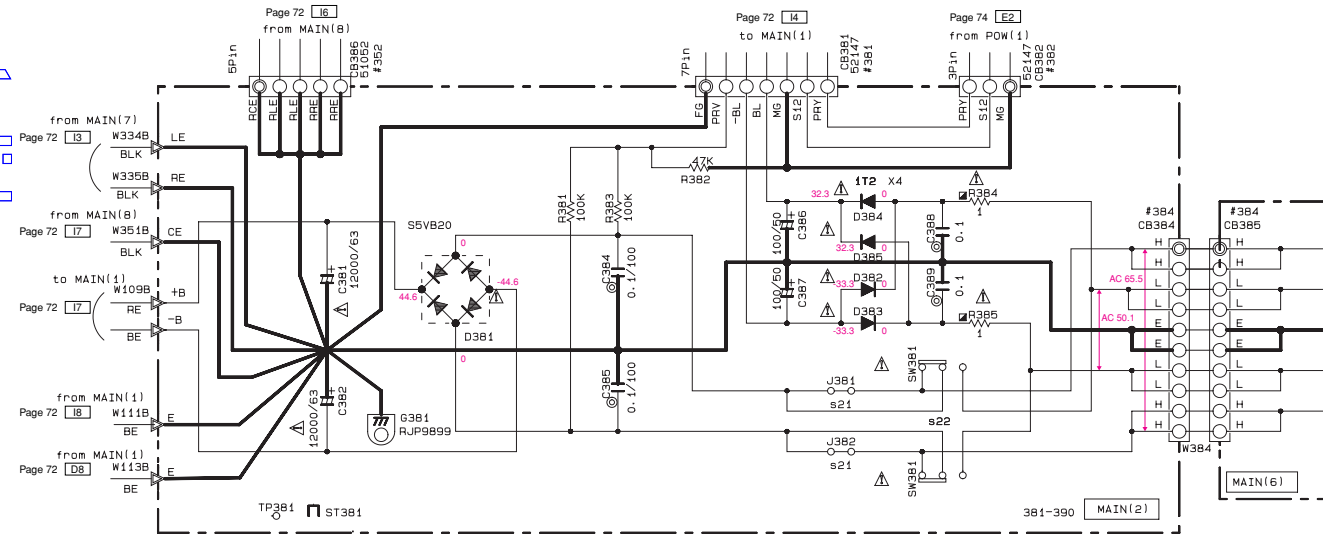
REMARKS	PARTS NAME
NO MARK	ELECTROLYTIC CAPACITOR
⊗	TANTALUM CAPACITOR
NO MARK	CERAMIC CAPACITOR
●	CERAMIC TUBULAR CAPACITOR
⊙	POLYESTER FILM CAPACITOR
○	POLYSTYRENE FILM CAPACITOR
⊖	MICA CAPACITOR
⊕	POLYPROPYLENE FILM CAPACITOR
⊗	SEMICONDUCTIVE CERAMIC CAPACITOR

NOTICE (model)

- (J)..... JAPANESE
- (U)..... U. S. A
- (C)..... CANADIAN
- (R)..... GENERAL
- (A)..... AUSTRALIAN
- (B)..... BRITISH
- (G)..... EUROPEAN
- (T)..... CHINA
- (L)..... SINGAPORE

s	Circuit No.	J	U, C, R, T, K
21	J381-382	0	X
22	SW381	X	SL13B-022AMCS [V410420]

X: NOT USED
0: USED / APPLICABLE

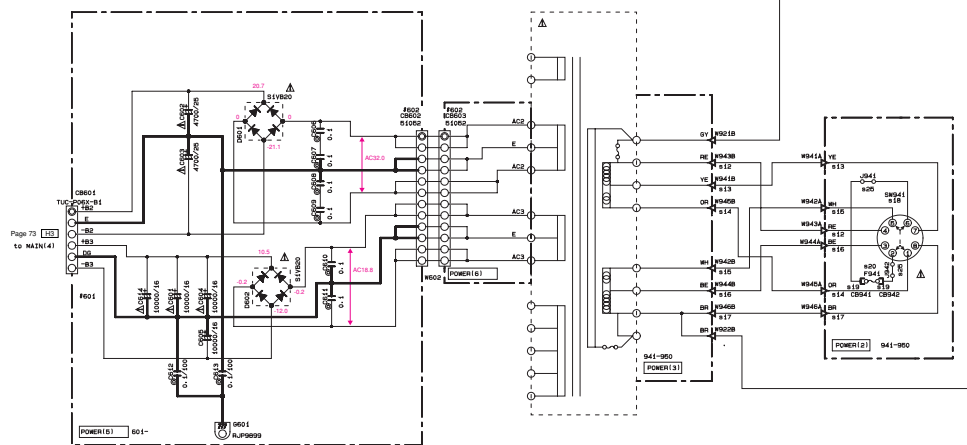
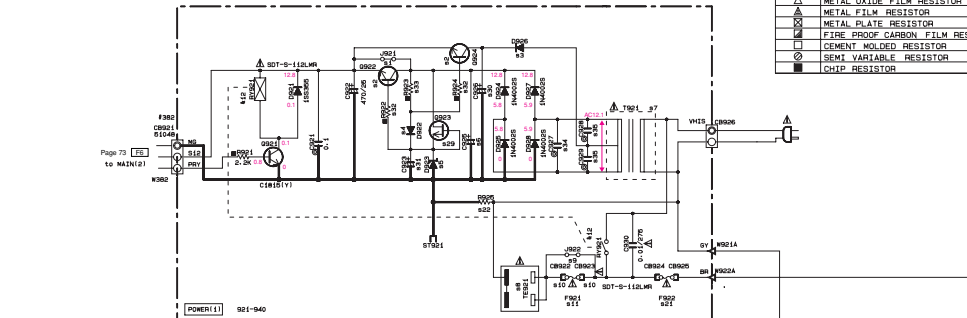
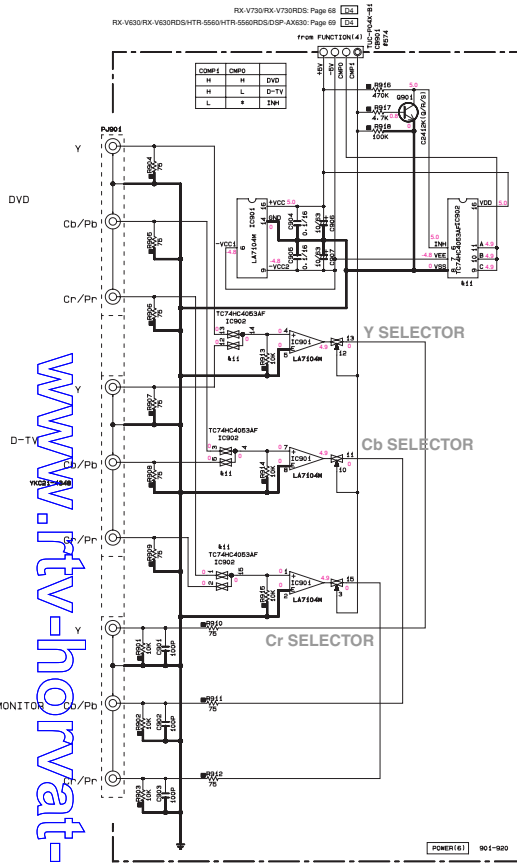


★ All voltages are measured with a 10M Ω /V DC electric volt meter.
★ Components having special characteristics are marked Δ and must be replaced with parts having specifications equal to those originally installed.
★ Schematic diagram is subject to change without notice.

● 電圧は、内部抵抗10M Ω の電圧計で測定したものです。
● Δ 印のある部品は、安全性確保部品を示しています。部品の交換が必要な場合、パーツリストに記載されている部品を使用してください。
● 本回路図は標準回路図です。改良のため予告なく変更することがございます。

www.rtv-horvat-dj.hr

SCHEMATIC DIAGRAM (POWER)

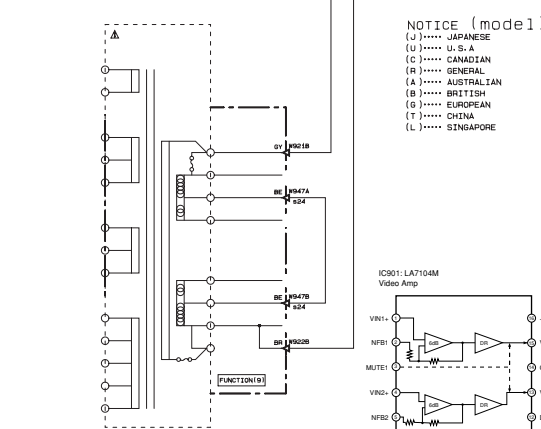
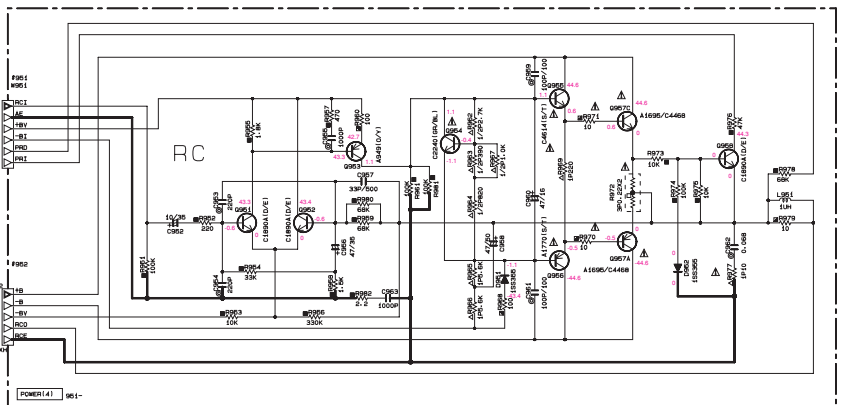


RESISTOR

REMARKS	PARTS NAME
NO MARK	CARBON FILM RESISTOR (P=5)
□	CARBON FILM RESISTOR (P=10)
△	METAL OXIDE FILM RESISTOR
◇	METAL FILM RESISTOR
○	METAL PLATE RESISTOR
⊕	FIRE PROOF CARBON FILM RESISTOR
⊖	CEMENT MOUNTED RESISTOR
⊙	SEMI-VARIABLE RESISTOR
■	CHIP RESISTOR

	J	U-C	R-T	K	A	B	G-L
91	J921	0	0	X	0	0	0
92	9202-9204	X	X	X	X	X	X
93	9206	X	X	X	X	X	X
94	9202	X	X	X	X	X	X
95	9203	X	X	X	X	X	X
96	9205	X	X	X	X	X	X
97	T921	X	X	X	X	X	X
98	T921	X	X	X	X	X	X
99	J922	0	0	0	0	0	0
100	CR922-923	X	0	X	X	X	X
101	J921	X	X	X	X	X	X
102	J943	X	X	X	X	X	X
103	J941	X	X	X	X	X	X
104	J945	X	X	X	X	X	X
105	J942	X	X	X	X	X	X
106	J944	X	X	X	X	X	X
107	J946	X	X	X	X	X	X
108	J941	X	X	X	X	X	X
109	CR941-942	X	X	X	X	X	X
110	J941	X	X	X	X	X	X
111	J932	X	X	X	X	X	X
112	J930	X	X	X	X	X	X
113	J947	X	X	X	X	X	X
114	J941-942	X	X	0	X	X	X
115	J927						
116	J923	X	X	X	X	X	X
117	CR26	X	X	X	X	X	X
118	CR23	X	X	X	X	X	X
119	CR23-924	X	X	X	X	X	X
120	CR23	X	X	X	X	X	X
121	CR27	0.01 UAG6410	0.01 UAG6410	X	0.01 UAG6410	0.01 UAG6410	0.01 UAG6410
122	CR28-929	X	X	X	X	X	X

www.itv-horvat-dj.hr



NOTICE (model)

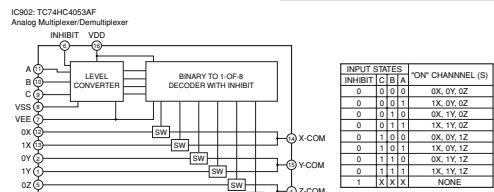
(J)..... JAPANESE
(U)..... U.S.A.
(C)..... CANADIAN
(R)..... GENERAL
(A)..... AUSTRALIAN
(B)..... BRITISH
(G)..... EUROPEAN
(T)..... CHINA
(L)..... SINGAPORE

CAPACITOR

REMARKS	PARTS NAME
NO MARK	ELECTROLYTIC CAPACITOR
□	TANTALUM CAPACITOR
○	CERAMIC CAPACITOR
⊕	CERAMIC TUBULAR CAPACITOR
⊙	POLYESTER FILM CAPACITOR
⊚	POLYSTYRENE FILM CAPACITOR
⊛	MICA CAPACITOR
⊜	POLYPROPYLENE FILM CAPACITOR
⊝	SEMICONDUCTIVE CERAMIC CAPACITOR
⊞	POLYPHENYLENE SULFIDE FILM CAPACITOR

Interchangeable Parts at Manufacture-Stage

Mark	Reference Parts Number	Parts Name
911	IC902	TC74HC4038AF
912	91921	M74HC0038LX
913		001801-01N11 ALK9321
914		



INPUT STATES

INHIBIT	C	B	A	ON CHANNEL (S)
0	0	0	0	0X.0Y.0Z
0	0	0	1	1X.0Y.0Z
0	0	1	0	0X.1Y.0Z
0	0	1	1	1X.1Y.0Z
0	1	0	0	0X.0Y.1Z
0	1	0	1	1X.0Y.1Z
0	1	1	0	0X.1Y.1Z
0	1	1	1	1X.1Y.1Z
1	X	X	X	NONE

* All voltages are measured with a 10MΩ/V DC electric volt meter.
* Components having special characteristics are marked ⊕ and must be replaced with parts having specifications equal to those originally installed.
* Schematic diagram is subject to change without notice.

● 電圧は、内部抵抗10MΩの電圧計で測定したものです。
● ⊕印のある部品は、安全性確保部品を示しています。部品の交換が必要な場合、パーツリストに記載されている部品を使用してください。
● 本回路図は標準回路図です。改良のため予告なく変更することがございます。